

Protective Lid

INFICON ISO-KF fittings are manufactured according to ISO 2861/1, DIN 28403 and Pneurop 6606. Our quality fittings are the standard components for all vacuum and high vacuum applications. The high quality INFICON components are designed and tested for leak rates less than 1×10^{-9} mbar l/s.



BENEFITS

- Competitively priced
- World wide logistics
- 2011/65/EU RoHS compliant

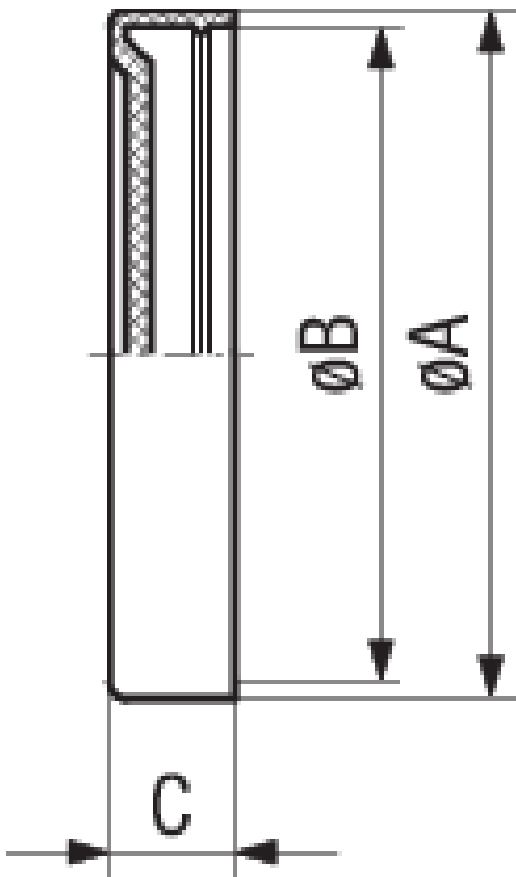
ORDER INFORMATION

Type	DN 10-16 ISO-KF	DN 20-25 ISO-KF	DN 32-40 ISO-KF	DN 50 ISO-KF
Protective lid DN 10-16 KF	211-427			
Protective lid DN 20-25 KF		211-428		
Protective lid, DN 32-40 KF			211-429	
Protective lid, DN 50 KF				211-430

SPECIFICATIONS

Type	DN 10-16 ISO-KF	DN 20-25 ISO-KF	DN 32-40 ISO-KF	DN 50 ISO-KF
Dimension A	32	42	57	77
Dimension B	29	39	54	74
Dimension C	7.5	7.5	7.5	7.5
Material:	Polyethylene	Polyethylene	Polyethylene	Polyethylene

DIMENSIONS



www.inficon.com reachus@inficon.com

Due to our continuing program of product improvements, specifications are subject to change without notice. RateWatcher is a trademark of INFICON. All other trademarks are the property of their respective owners.

(2018-08) © 2018 INFICON